

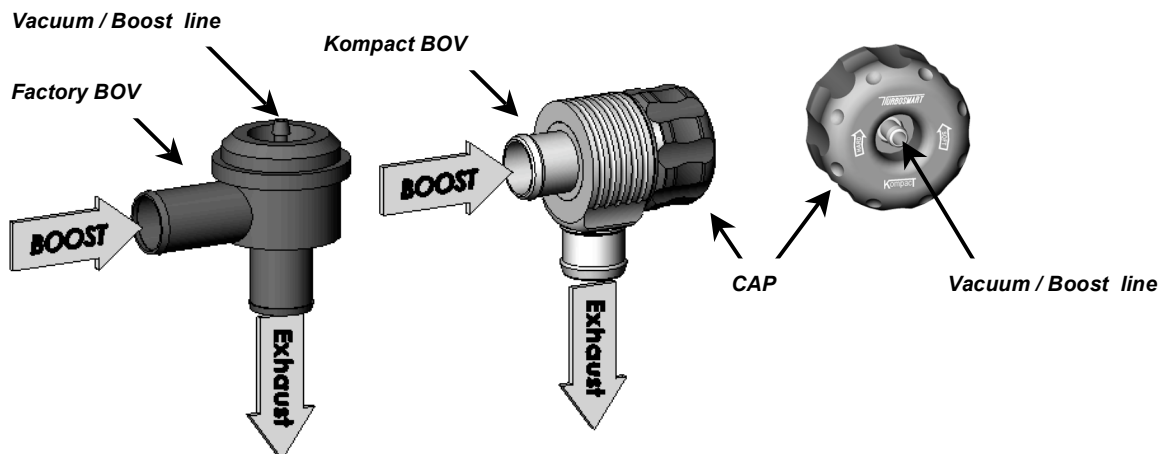
## KOMPACT PLUMB BACK BLOW-OFF VALVE INSTRUCTIONS

### IMPORTANT NOTES ON FITTING YOUR KOMPACT PB

Turbosmart recommends that your BOV is fitted by an appropriately qualified technician.

## IMPORTANT!

**Please note the orientation when fitting your Kompact PB BOV.**



**Figure 1** Orientation of Kompact PB BOV

### KOMPACT KIT CONTENTS

Please check that the following items have been provided in your Kompact Kit.

| Quantity | Description         | Use  |
|----------|---------------------|--|
| 1        | Kompact BOV         | Main component   |
| 1        | 6.3mm-5mm Reducer   | Connects 5mm ID Silicon hose with factory vacuum hose              |
| 1        | 3mm-5mm Reducer     | Connects 5mm ID Silicon hose with factory vacuum hose              |
| 2        | 20-32mm Hose Clamp  | To secure the boost hose and exhaust hose to the Kompact BOV       |
| 100mm    | 5mm ID Silicon hose | Connects either 3-5mm reducer or 6mm-5mm reducer to Kompact nipple |

### IMPORTANT NOTES ON FITTING YOUR KOMPACT PB BOV

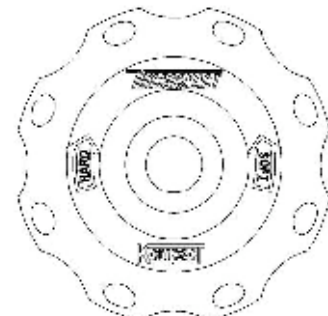
Want more information fitting your Kompact PB BOV? Check the Turbosmart web-site [www.turbosmart.com.au](http://www.turbosmart.com.au) for a complete listing of model specific fitting instructions. Turbosmart recommends that your BOV is fitted by an appropriately qualified technician. See the following steps for details on the fitting procedure.

- Remove the engine cover, common to most European vehicles.
- Locate the factory BOV. Undo the hose clamps holding the factory BOV to the boost and exhaust hoses.
- Remove the factory BOV **noting the positions of the boost hose and the exhaust hose**. You will have to fit the Kompact PB BOV with reference to the boost hose and exhaust hose. (see fig. 1). For more information on fitting, see the Turbosmart website.
- Remove the vacuum/boost line from the Factory BOV nipple.
- The Kompact PB BOV will be mounted in the space where the factory BOV was sitting. Ensure that the mounting position will not be effected by the engine moving when under load.
- The Kompact PB BOV must be mounted in a position so that it is sheltered from any contamination, i.e. away from where it could be splashed or the direct path of any air borne debris.
- Ensure that the factory hoses on which the Kompact PB BOV will be fitted to are in a good condition, not worn and without any tearing.
- Connect the factory boost hose onto the Kompact PB BOV (As shown on Fig. 1).
- Connect the factory exhaust hose onto the Kompact PB BOV (As shown on Fig. 1).
- Tighten the hose clamps supplied on the factory hoses to secure the Kompact PB BOV.
- Connect the factory vacuum/boost line onto the Kompact BOV nipple. If the factory vacuum/boost line does not fit, connect the appropriate reducer & 5mm vacuum hose. Push the exposed end of the reducer into the factory vacuum/boost line and connect the 5mm vacuum hose onto the Kompact nipple.
- The supplied 5mm silicon vacuum hose is of good quality – inferior hoses can be affected by heat and could eventually crack, split or collapse. This would cause the Kompact PB BOV to leak and may cause poor fuel economy and lead to serious engine damage.
- Minimise the length of the vacuum hose where possible – the longer the hose, the slower the Kompact PB BOV will respond, this may have a dramatic effect on the performance of the Kompact PB BOV.

## KOMPACT PLUMB BACK BLOW-OFF VALVE INSTRUCTIONS

### IMPORTANT NOTES ON SETTING THE SPRING TENSION

- Adjustment to the KOMPACT PB BOV is made by rotating the cap (see figure 2), to increase spring tension rotate in the direction of hard, marked on the top of the cap.
- Rotate the cap in the direction of soft to decrease the spring tension – **CAUTION** Do not rotate the cap beyond the indicator groove (see figure 3).
- Free rev the engine and back off quickly, the engine should return to normal idle speed – if the engine drops below idle or stalls increase the spring tension by half a turn.
- Repeat this process until the engine free revs and returns to normal idle speed.
- Tests drive the car and ensure that when decelerating or changing gears that the engine does not backfire or stall. If backfiring or stalling is noticed then check all connections made during the installation, otherwise increase the spring tension.

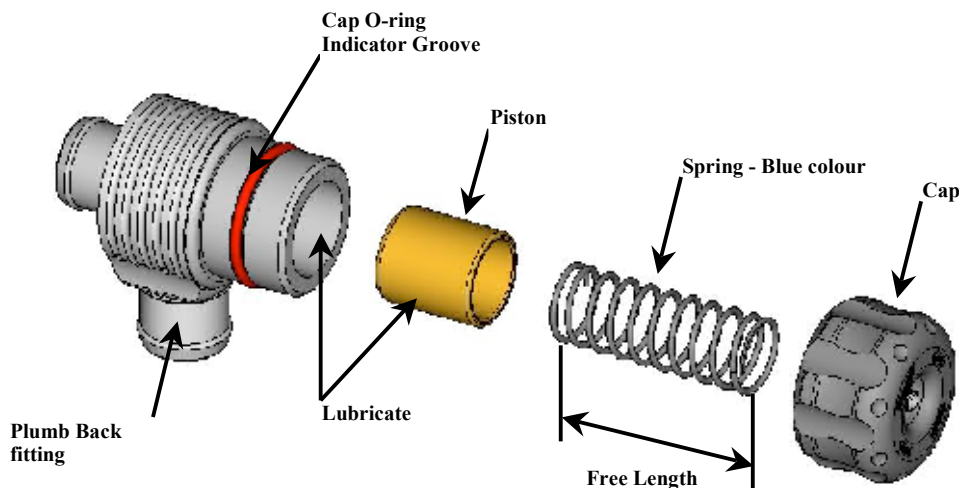


**Figure 2** Top View of Cap showing Hard, Soft adjustments

### MAINTAINING YOUR KOMPACT PB BOV

Turbosmart recommends that the following maintenance procedure is carried out at half-year intervals. Regular maintenance will ensure that your KOMPACT PB BOV is operating at its peak and will extend the working life of the product.

- Remove the cap of the KOMPACT PB BOV by rotating in an anti-clockwise direction (see figure 2) – **CAUTION** The cap is under spring tension, wear safety glasses and remove with care!
- Remove the spring and measure the free length or the overall length of the spring. Replace the spring if its free length is less than **49mm**.
- Remove the piston, thoroughly clean the piston and the bore of the KOMPACT PB BOV.
- Inspect the surface of the piston and the bore of the KOMPACT PB BOV for scoring or excessive wear, silver coloured marks are an indication of excessive wear.
- Check the Cap O-ring for any damage – replace if necessary.
- Lubricate the bore and the piston with Turbosmart lubricant (see figure 3) – **DO NOT** use grease or viscous oils.
- Re-assemble the KOMPACT PB BOV in the reverse order.



**Figure 3** Exploded View of the Kompact PB BOV

### TROUBLE SHOOTING

The following points should be checked if you find that your engine is dipping below normal idle, stalling or if the KOMPACT PB BOV is functioning poorly. Please note, the following checks will cure 99% of problems experienced with a KOMPACT PB BOV.

- Check the vacuum hose for splits, cracks, loose connection, kinking or any obstruction – old or fatigued hose may collapse under vacuum causing an obstruction.
- With the engine running remove the vacuum / boost line from the nipple in the cap of the KOMPACT PB BOV, there should be a loud hissing sound. The engine should idle poorly, double check by covering the end of the hose with your finger – otherwise the hose is blocked.
- Check to see if the KOMPACT PB BOV is blocked or contaminated with dirt or debris, if the valve appears to be contaminated follow the maintenance directions above.
- Ensure that the vacuum / pressure source is not shared and that the vacuum source is directly from the inlet manifold.
- Check the seal between the boost hose and the KOMPACT PB BOV – ensure the hose clamps are tightened.

**Warranty**  
Turbosmart warrants its products to be free from faults or defects for the life of the product. \*  
\* Subject to Turbosmart trading terms and conditions

**Warning!**  
Incorrect use of this product may result in damage to your vehicle. Failure to observe any notes or recommendations may result in incorrect use of this product. This product is intended for use in off-road racing only. Turbosmart will accept no responsibility for the incorrect use of this product.

**Disclaimer!**  
Turbosmart will not be held responsible for any damage caused to property or person, directly or indirectly related to the use of a Turbosmart product.



|                        |
|------------------------|
| <i>PART<br/>NUMBER</i> |
|------------------------|

## ***KOMPACT PLUMB BACK BLOW-OFF VALVE INSTRUCTIONS***

### **THE TURBOSMART PLEDGE**

DO NOT USE ANY TURBOSMART PRODUCT UNTIL YOU HAVE CAREFULLY READ AND UNDERSTOOD THE FOLLOWING AGREEMENT.

Please call if you have any questions or do not understand this agreement. Refer to our brochure, website or catalogue for terms and conditions and further information regarding your product. Turbosmart appreciates your business and pride ourselves on our customer service. We are always happy to offer you advice and will provide you with help in any way we can. The purpose of this agreement is to avoid any problems or hard feelings.

We sometimes make mistakes, as do our dealers, distributors and suppliers. Even customers can sometimes order the wrong parts. Do not use, modify, install, trial assemble, nick, drop, scratch or adjust any part until you first check for any damage. Damage must be reported immediately. NO EXCEPTIONS. If there are any components missing please contact your authorised reseller immediately upon receipt of your shipment. Missing components must be reported within five (5) business days of receipt. Parts returned for any reason MUST BE IN RESALABLE CONDITION. It is YOUR responsibility, "THE CUSTOMER" to carefully package any returns to avoid shipping damage. Insurance is highly recommended. Credit cannot be issued for damaged goods.

Turbosmart Pty Ltd warrants the quality of the products it designs and manufactures to be free of defects in material and workmanship. This limited warranty is extended only to the original purchaser and may not be transferred or assigned. This limited warranty applies to any product, which after careful inspection by Turbosmart Pty Ltd, after receipt of the product from our authorised reseller, is found to have a defect in either material or workmanship. Any modifications to the product will void any and all warranties and will not be exchanged. Before installation, check new car warranty. Turbosmart Pty Ltd is not responsible for voiding any original manufactures warranty.

All warranty claims must be returned to the authorised reseller, you must return the product and sales receipt, at your own expense, accompanied by a letter stating the reason for the claim. Proof of purchase must be provided with any warranty claim and will be verified with the authorised reseller from which the product was purchased.

If all the above procedures are followed, and the product is found to be defective in either workmanship or material, Turbosmart Pty Ltd shall either repair or replace the product, at its sole discretion, and sole cost. This limited warranty does not cover or apply to any personal injury, labour charges or any other incidental costs or damages caused by the defective product. The individual purchaser acknowledges and agrees that the disclaimer of any liability for personal injury is a material term for this agreement and the individual purchaser agrees to indemnify Turbosmart Pty Ltd and to hold Turbosmart Pty Ltd harmless for any claim related to the item of the equipment purchased. Under no circumstances will Turbosmart Pty Ltd be liable for any damages or expenses by reason of use or sale of any such equipment.

THIS LIMITED WARRANTY IS THE ONLY EXPRESS WARRANTY, WHICH APPLIES TO TURBOSMART PTY LTD PRODUCT AS EXPRESSLY GIVEN IN LIEU OF ANY OTHER WARRANTY EXPRESSED OR IMPLIED, INCLUDING THAT OF MERCHANTABILITY. ANY IMPLIED WARRANTY INCLUDING THAT OF MERCHANTABILITY AND/OR FITNESS FOR A PARTICULAR PURPOSE IS HEREBY LIMITED BY THE SAME TERMS AND TIME LIMITATIONS SET FORTH IN THIS LIMITED EXPRESS WARRANTY AND OTHERWISE EXCLUDED.

EXCEPT FOR THOSE OBLIGATIONS ASSUMED HEREIN, TURBOSMART PTY LTD ASSUMES NO OTHER OBLIGATIONS IN CONNECTION WITH THE SALE OF ITS PRODUCTS.

IN THE EVENT THAT THE INDIVIDUAL PURCHASER DOES NOT AGREE WITH THIS AGREEMENT THE BUYER MAY PROMPTLY RETURN THIS PRODUCT, IN A NEW AND UN-USED CONDITION, WITH A DATED PROOF OF PURCHASE, TO THE PLACE OF PURCHASE WITHIN SIXTY (60) DAYS FROM THE DATE OF PURCHASE FOR A FULL REFUND.

THE INSTALLATION OF THIS PRODUCT INDICATES THAT THE INDIVIDUAL PURCHASER HAS READ AND UNDERSTOOD THIS AGREEMENT AND ACCEPTS ITS TERMS AND CONDITIONS.

**Happy motoring!**

**The Turbosmart Team.**